

BALDOR® • RELIANCE 

Product Information Packet

IDDRPM25506

50HP, 1140RPM, 3PH, N/AHZ, 2570, DPG-FV,

Part Detail							
Revision:	-	Status:	PRD/A	Change #:		Proprietary:	No
Type:	AC	Elec. Spec:	L0191A	CD Diagram:	422927-001	Mfg Plant:	
Mech. Spec:		Layout:	617214-001	Poles:	04	Created Date:	04-10-2015
Base:		Eff. Date:	04-13-2015	Leads:			

Specs			
Catalog Number:	IDDRPM25506		
Enclosure:	DPFV		
Frame:	RL2570		
Frame Material:	Exposed Laminations		
Output @ Frequency:	50.000 HP @ 40 HZ		
Synchronous Speed @ Frequency:	1200 RPM @ 40 HZ		
Voltage @ Frequency:	460.0 V @ 40 HZ		
Agency Approvals:	CCSA US		
	UR		
Auxillary Box:	No Auxillary Box		
Base Indicator:	Rigid		
Bearing Grease Type:	No Grease		
Current @ Voltage:	64.000 A @ 460.0 V		
Duty Rating:	CONT		
Enclosure Modification:	FORCE VENT		
Feedback Device:	NO FEEDBACK		
Frame Prefix:	RL		
Heater Indicator:	No Heater		

Insulation Class:	H		
Mounting Arrangement:	F1		
Product Family:	General Industrial		
Pulley End Bearing Type:	Ball		
Pulley Face Code:	Standard		
Shaft Ground Indicator:	No Shaft Grounding		
Shaft Rotation:	Reversible		
Motor Standards:	NEMA		
Thermal Device - Bearing:	None		
Thermal Device - Winding:	Normally Closed Thermostat		

Parts List		
Part Number	Description	Quantity
WS286726	WS P25R0217	1.000 EA
RA282934	RA P25R0217	1.000 EA
000613006NN	RPM AC WITH CERTIFIED LOGOS	1.000 EA
000692000FP	NP, WARNING LIFT INSTRUCTIONS	1.000 EA
000692000VD	LABEL WARNING	1.000 EA
036170004EA	ROUND HEAD DRIVE SCREW	4.000 EA
422927001	C/D LABEL	1.000 EA
036100080KA	M10-1.50X 80MM HXSOCHDCS	3.000 EA
036140001C	EYEBOLT - 400	2.000 EA
036500010AB	METRIC NUT M10-1.5PLTD400	4.000 EA
036500010AB	METRIC NUT M10-1.5PLTD400	4.000 EA
400638001H	SPRING WASHER (Customer number 43699)	1.000 EA
HA4054	SHORT T-DRAIN FITTING, .125" N.P.T.	1.000 EA
HA4054	SHORT T-DRAIN FITTING, .125" N.P.T.	1.000 EA
609830005ACH	STUD FRAME .375X13 LG	4.000 EA
807528202EAE	BRKT,DE,RL250,DPFV	1.000 EA
807528203CCB	BRKT,ODE,RL250,DPFV	1.000 EA
000613006NT	NAME PLATE IEC	1.000 EA
032018004AK	HHCS 1/4-20X1/2 PLATED	2.000 EA
032018004DK	HHCS,DRIP COVER	4.000 EA
032018008CK	HHCS 3/8-16X1L PLATED	4.000 EA
034017014AB	LCKW 3/8 STD. PLATED	4.000 EA
036000012JB	M8-1.25 X 12MM HXHDC	3.000 EA
036000012JB	M8-1.25 X 12MM HXHDC	4.000 EA

Parts List (continued)		
Part Number	Description	Quantity
036000045HB	MHHCS M6X45MM PLATED	4.000 EA
036000020HB	HHCS M6-1.0X20MM PLATED	8.000 EA
036321020HB	HEXSOCKET FLAT SCREW M	4.000 EA
036600009AB	METRIC FLWASH M8 PLATED	3.000 EA
036620008AB	M6 METRIC EXT LOCKWASHER	1.000 EA
065591000B	GASK 250-280	1.000 EA
075454001AJ	C/BOX, PAINTED 250-280	1.000 EA
075455000A	CBOXC, PAINTED 250-280	1.000 EA
410978010C	FLANGE, INLET BLOWER HSG.	1.000 EA
410978019A	SCREEN, INLET FLANGE	1.000 EA
415000103A	T/LUG #14AWG-#4AWG W/HOLE FOR .250 BOLT	1.000 EA
417733004AC	GASK C/BOX	2.000 EA
418018074A	GROUND LABEL G100 METRIC 160 D.C.	1.000 EA
422919352	HHCVR KIT,RL250,DE LOUVERED	1.000 EA
422919352	HHCVR KIT,RL250,DE LOUVERED	1.000 EA
609843001AG	GASKET HANDHOLD COVER	1.000 EA
610409128A	ADAPTER, BLOWER	1.000 EA
610490001AH	.75HP,3450//2850RPM,3PH,60//50HZ,56C,351	1.000 EA
611917002A	GASKT	1.000 EA
611965001A	WHEEL, BLOWER	1.000 EA
706305301A	GUARD, SHAFT	1.000 EA
708528004G	HOUSING, BLOWER	1.000 EA
000640000P	TAG WINDING THERMOST	1.000 EA
004824007K	SPECIAL PAINT	0.100 EA

Product Information Packet: IDDRPM25506 - 50HP,1140RPM,3PH,N/AHZ,2570,DPG-FV,

034180024GA	KEY 1/2X1/2X3 L	1.000 EA
418018116	WARNING PLATE	1.000 EA
418010012J	CONDUIT BOX SPACER	1.000 EA

REL. S. O. -
 FRAME RL2570
 HP 50
 BASE SPEED 1140
 PHASE/HERTZ 3/40

VOLTS 460
 AMPS 63.34
 DUTY CONT 1.0
 S.F. P.F. 1.0
 AMB °C/INSUL 40/H

ENCLOSURE IM (AMPS) 5000
 MAX SAFE RPM 19.4
 P.F. @NL/FL .070/.871
 WK² (LB-FT²) 3.84

DPFV 3.84
 WYE CONN EQ CKT OHMS PER PHASE (AT BASE RATING, 25 °C)
 R1 .172 X1 .628
 R2 .130 X2 .569
 XM 14.1


RATED FULL LOAD DATA

	RPM	HP	TORQUE LB-FT	FUND VOLTS	FREQ-HZ	AMPS
BASE SPEED	1147	50.0	229	460	40	63.2
MAX SPEED	1306	50.0	201	460	45.6	62.6
MIN SPEED	0	0	229	33.8	1.78	63.2

LOAD PERFORMANCE AT BASE SPEED

	RPM	HP	TORQUE LB-FT	FUND VOLTS	FREQ-HZ	AMPS
NO LOAD	1200	0	0	460	40	19.2
1/4	1189	12.5	55	460	40	24.1
1/2	1177	25.0	112	460	40	34.3
3/4	1163	37.5	169	460	40	47.5
FULL LOAD	1147	50.0	229	460	40	63.2
O/L	1102	72.1	343	460	40	101

REMARKS: TYPICAL DATA
 CORRELATED DATA

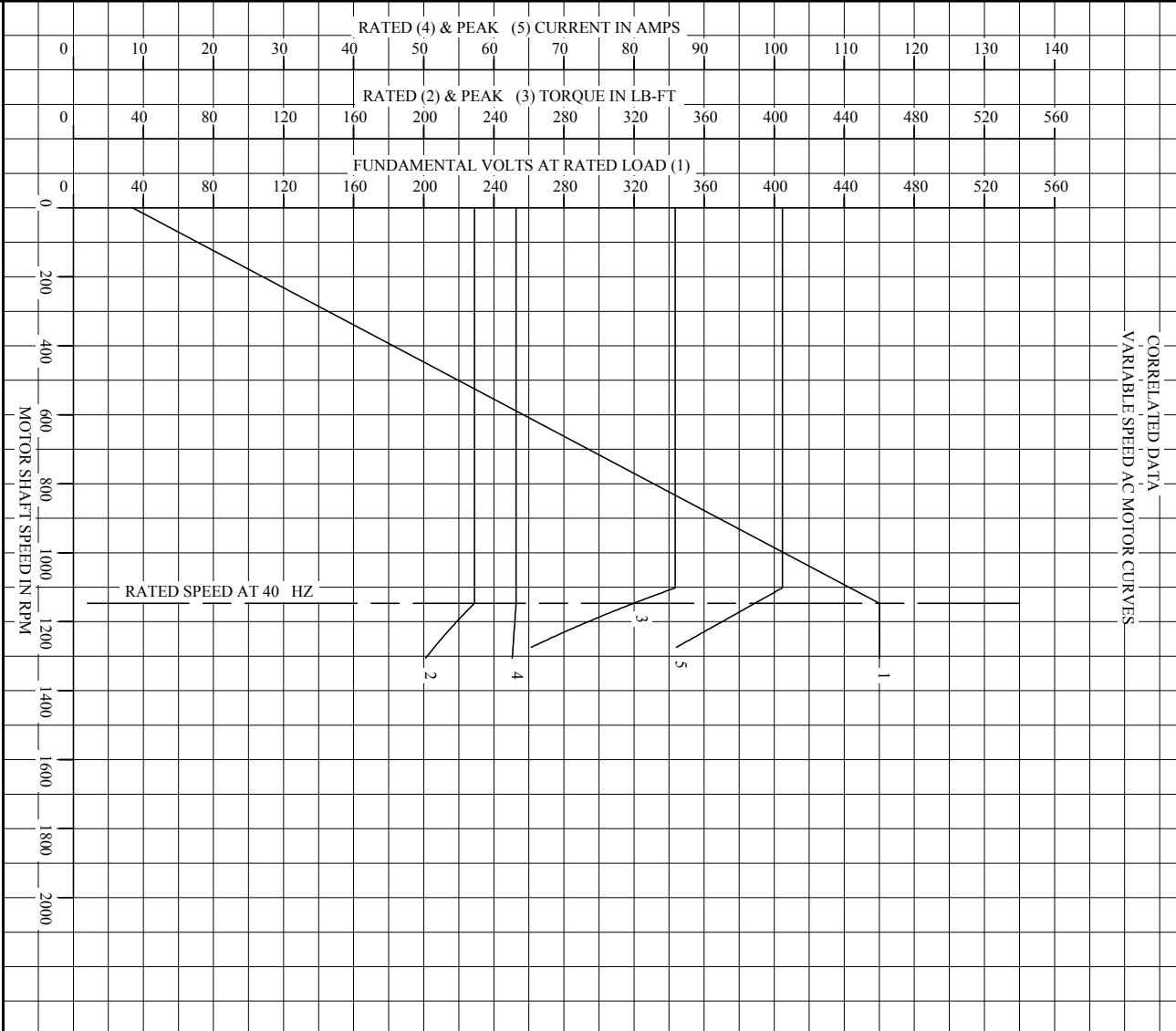
 <p>A MEMBER OF THE ABB GROUP</p>	DR. BY B. GRANT	<p>A-C MOTOR PERFORMANCE DATA</p> <p>ISSUE DATE 3-7-05</p>
	CK. BY B. GRANT APP. BY T. EVON DATE 3-7-05	

C/R 383520

Printed on 3/27/13 13:16 @ r99

1

REL. S. O.	-	VOLTS	460	ENCLOSURE	DPFV	WYE CONN EQ CKT OHMS PER PHASE (AT BASE RATING, 25 °C)
FRAME	RL2570	AMPS	63.34	MAX SAFE RPM	5000	R1 .172
HP	50	DUTY	CONT	IM (AMPS)	19.4	X1 .628
BASE SPEED	1140	S.F.	1.0	P.F. @NL/FL	.070/.871	R2 .130
PHASE/HERTZ	3/40	AMB C/INSUL	40/H	WK² (LD-FL 2)	3.84	X2 .569
						X3 14.1



REMARKS: TYPICAL DATA
DATA VALID FOR NAMEPLATE SPEED RANGE ONLY

BALDOR
A MEMBER OF THE ABB GROUP

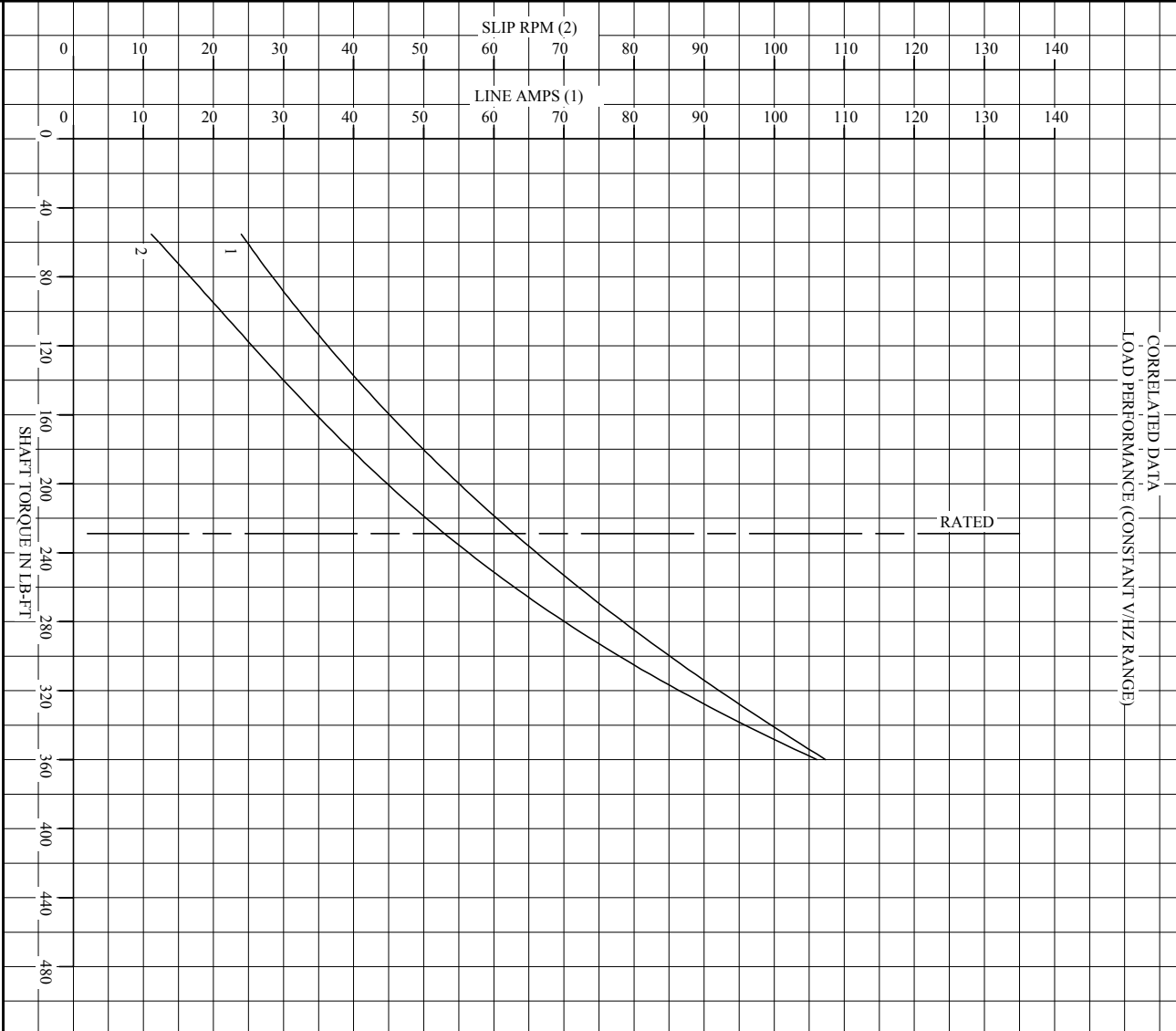
DR. BY	B. GRANT
CK. BY	B. GRANT
APP. BY	T. EVON
DATE	3-7-05

A-C MOTOR PERFORMANCE CURVES

L0191A
SH 1 OF 2
ISSUE DATE 3-7-05

C/R 383520

REL. S. O.	-	VOLTS	460	ENCLOSURE	DPFV	WYE CONN EQ CKT OHMS PER PHASE (AT BASE RATING, 25 °C)
FRAME	RL2570	AMPS	63.34	MAX SAFE RPM	5000	R1 .172
HP	50	DUTY	CONT	IM (AMPS)	19.4	X1 .628
BASE SPEED	1140	S.F.	1.0	P.F. @NL/FL	.070/.871	R2 .130
PHASE/HERTZ	3/40	AMB C/INSUL	40/H	WK ² (ID-FL 2)	3.84	X2 .569
						X3 14.1



REMARKS: TYPICAL DATA
DATA VALID FOR NAMEPLATE SPEED RANGE ONLY

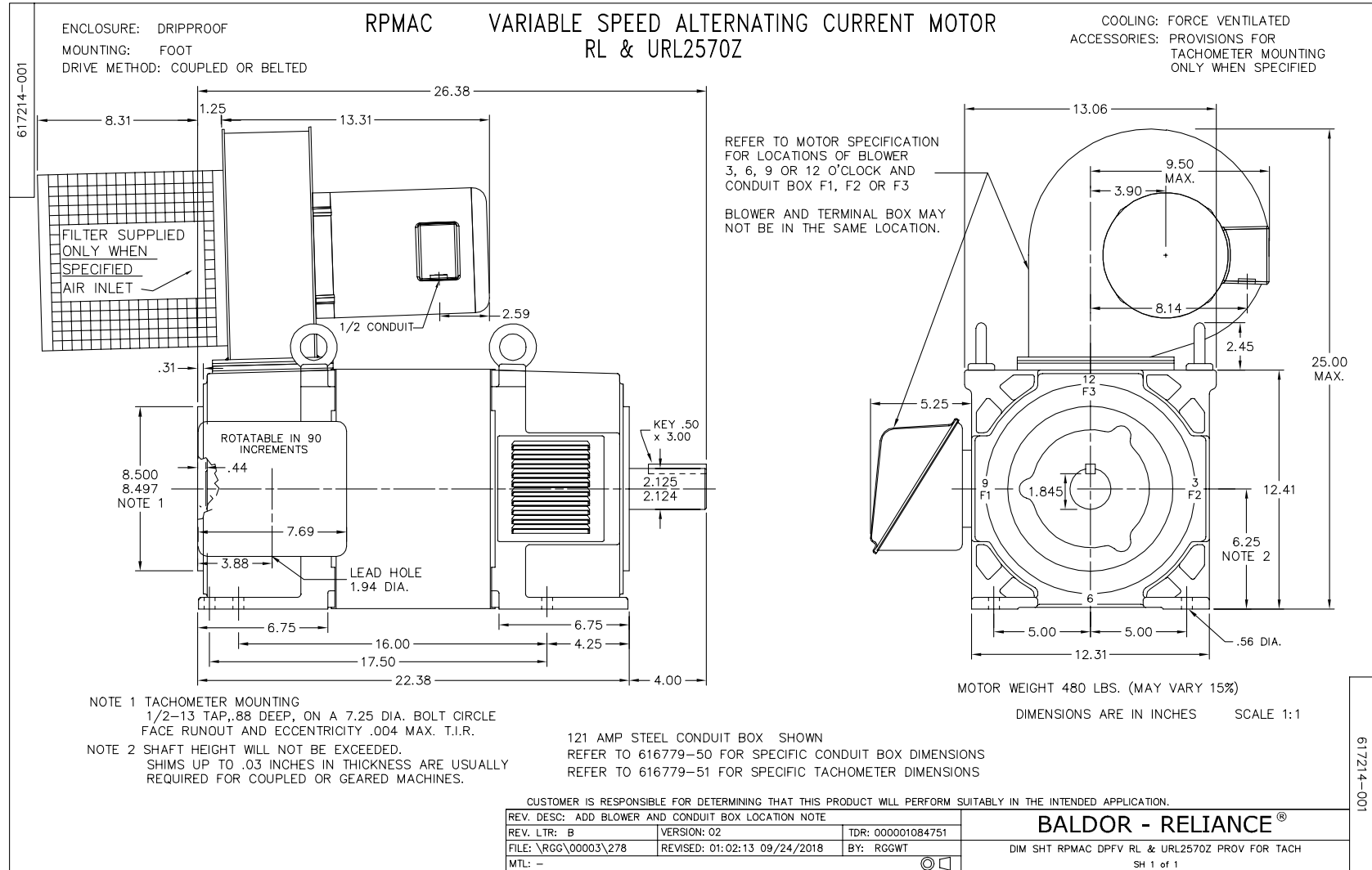
BALDOR
A MEMBER OF THE ABB GROUP

DR. BY B. GRANT
CK. BY B. GRANT
APP. BY T. EVON
DATE 3-7-05

A-C MOTOR
PERFORMANCE
CURVES

L0191A
SH 2 OF 2
ISSUE DATE 3-7-05

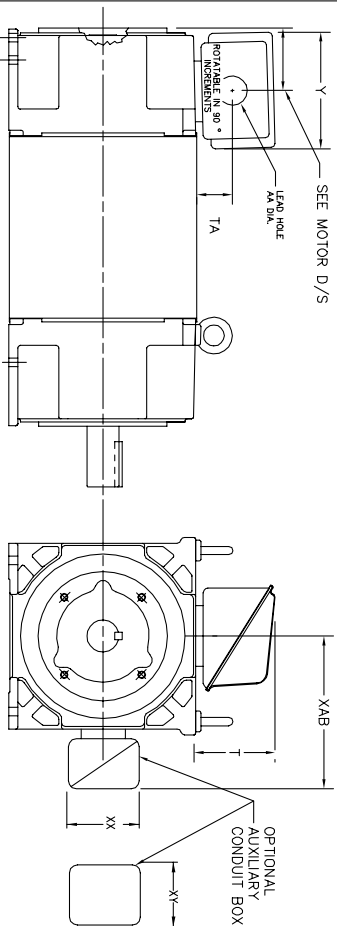
C/R 383520



616779-050

INDUSTRIAL ALTERNATING CURRENT MOTORS RPM AC

STEEL, CAST IRON, MILL AND TERMINAL BOARD CONDUIT BOX DIMENSIONS
NEMA FRAMES RL210 thru RL280 and IEC FRAMES RDL132 thru RDL180
NEMA FRAMES FL180 thru FL280 and IEC FRAMES FDL112 thru FDL180



FRAME	TYPE	TERMINAL STRIP	AMPS	C/BOX	Y	TA	T	AA
FL180	STEEL	N	40	706320003A	5.00	1.62	3.00	1.12
FL180	STEEL	Y/N	7/5	706320005A	6.12	2.38	4.38	1.75/2.00
FL180	STEEL	N	208	706320007A	7.62	2.00	7.00	2.50/3.00
FL180	CAST IRON	Y/N	60	706320004C	5.75	2.38	4.38	1.0 TAP
FL180 & FDL11	MILL	Y	100	706310056A	7.75	2.30	4.40	PG29/PG16

FL210 & RL210	STEEL	N	61	0754520008	6.34	2.00	4.12	1.75
FL210 & RL210	STEEL	N	121	075454001AJ	7.69	2.38	5.25	1.94
FL210 & RL210	STEEL	N	305	706320016A	9.00	4.12	8.44	4.59
FL210 & RL210	CAST IRON	N	110	0754600628	7.25	2.50	5.25	1.5 TAP
FL210 & RL210	MILL	Y	100	706310225R	7.75	2.30	4.40	PG29/PG16
FL210 & RL210	MILL	Y	160	706310226R	9.00	3.06	5.40	PG36/PG16
FL210 & RL210	MILL	Y	160	706310056B	9.00	3.06	5.40	PG36/PG16
FL210 & RL210	MILL	Y	400	706310063B	14.39	7.43	12.15	BLANK

FL250 & RL250	STEEL	N	61	0754520008	6.34	2.00	4.12	1.75
FL250 & RL250	STEEL	N	121	075454001AJ	7.69	2.38	5.25	1.94
FL250 & RL250	STEEL	N	305	706320016A	9.00	4.12	8.44	4.59
FL250 & RL250	CAST IRON	N	110	0754600628	7.25	2.50	5.25	1.5 TAP
FL250 & RL250	CAST IRON	N	210	706320013A	10.50	4.88	9.00	4.0 TAP
FL250 & RL250	MILL	Y	100	706310056A	7.75	2.30	4.40	PG29/PG16
FL250 & RL250	MILL	Y	160	706310225R	7.75	2.30	4.40	PG29/PG16
FL250 & RL250	MILL	Y	160	706310056B	9.00	3.06	5.40	PG36/PG16
FL250 & RL250	MILL	Y	400	706310063B	14.39	7.43	12.15	BLANK

FL280 & RL280	STEEL	N	160	706320009A	7.25	3.50	7.06	2.50
FL280 & RL280	STEEL	N	305	706320016A	9.00	4.12	8.44	4.59
FL280 & RL280	STEEL	N	500	702658001C	14.62	7.56	12.70	5.00
FL280 & RL280	CAST IRON	N	140	706320012B	9.25	4.81	8.58	3.0 TAP
FL280 & RL280	CAST IRON	N	210	706320013A	10.50	4.88	9.00	4.0 TAP
FL280 & RL280	CAST IRON	N	510	706320014D	15.00	7.56	12.81	5.0 TAP
FL280 & RL280	MILL	Y	100	706310056A	7.75	2.30	4.40	PG29/PG16
FL280 & RL280	MILL	Y	160	706310056B	9.00	3.06	5.40	PG36/PG16
FL280 & RL280	MILL	Y	160	706310056B	9.00	3.06	5.40	PG36/PG16
FL280 & RL280	MILL	Y	400	706310063B	14.39	7.43	12.15	BLANK

FRAME SIZE	OPTIMAL AUXILIARY CONDUIT BOX DIMENSIONS (MAXIMUM)								
	XAB	XX	XY	PART NUMBER	FRAME SIZE	XAB	XX	XY	PART NUMBER
FL180/FL180/RL180/FL180	7.38	4.25	4.25	603C07-26-A	FL210/FL210/RL210/FL210	10.88	8.00	8.00	706310-3-B
FL210/FL180/RL250/FL180	8.44	4.25	4.25	603C07-26-A	FL250/FL180/RL250/FL180	11.88	8.00	8.00	706310-3-B
FL280/FL180/RL280/FL180	9.12	4.25	4.25	603C07-26-A	FL280/FL180/RL280/FL180	12.62	8.00	8.00	706310-3-B

- (1) TAP CONDUIT
- (2) TAP PIPE TAP
- (3) CUSTOMER TO PROVIDE HOLE FOR CONDUIT.
- (4) 2" DN -5A or 1" TAP DN -4C

TERMINAL BOX CAN BE KEPT FOR LEAD OUTLET AT TOP SIDES OR BOTTOM TERMINAL BOX CAN BE KEPT FOR LEAD OUTLET AT TOP SIDES OR BOTTOM SIDE. LEAD IN/OUT DIMENSIONS SPECIFIED IN BOX LOCATED ON TYP WHEN SPECIFIED.

050-667919

CUSTOMER IS RESPONSIBLE FOR DETERMINING THAT BALDOR'S PRODUCT WILL PERFORM SUITABLY IN THE INTENDED APPLICATION.

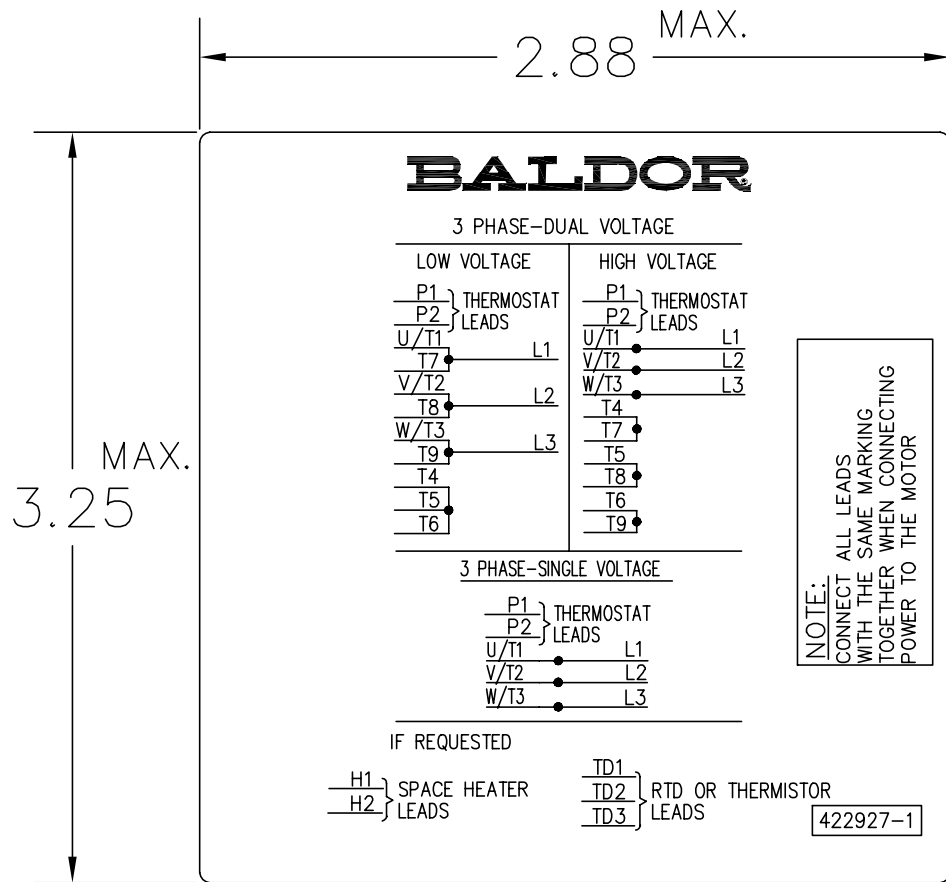
REV. DESC: ADD C/BOX 706310-225 & -226R	VERSION: 05	TDR: 000001093792
REV. LTR: E	REVISED: 07: 27: 52 12/18/2018	BY: RGGWT
FILE: \RGG\00003\692		
MTL: -		

BALDOR - RELIANCE®

DIM SHT NEMA RL210-RL280 FL180-FL280 IEC RDL132-RDL180

SH 1 of 1

422927-001



NOTE:
DATA TO BE SIZED
SO THAT IT FITS INTO
MATERIAL DECAL
DIMENSIONS. MAKE
LETTERS & NUMBERS
AS LARGE AS POSSIBLE.

MATERIAL: CERAMATIC DGF-P4
PERMA GRIP ADHESIVE

ALL LETTERS, NUMBERS
AND LINES TO BE BLACK
ON WHITE BACKGROUND.

REV. DESC: CHANGE BACKGROUND COLOR FROM GOLD TO WHITE		
REV. LTR: B	VERSION: 02	TDR: 000000788708
FILE: \RGG\00000\203	REVISED: 08:09:29 03/04/2013	
MTL: -	BY: RGGWT	

BALDOR

EXTERNAL CONNECTION LABEL

SH 1 of 1

422927-001

Marketing maintained PDF of MN406:

<http://www.baldor.com/support/Literature/Load.ashx/MN406?ManNumber=MN406>